

PLT

"PLT" SERIES' 350 Ohm NIKEL-PLATED LOAD CELL KITS FOR ASSEMBLING FLOOR SCALES



Ideal for creating platforms with 4 load cells of various sizes and capacities. The kit is made up of 4 350 Ohm IP67 nickel-plated load cells, OIML and NTEP approved, together with adjustable resting feet and an equalisation box.

**The best solution
for advanced industrial
applications**

LOAD CELL TECHNICAL FEATURES

- Minimum load cell verification interval $V_{min} = E_{Max} / 10.000$
- Maximum number of verification intervals $n_{LC} = 3000$
- Combined error 0,017% of Full Scale Output (F.S.)
- Nonlinearity $\pm 0.02\%$ FS
- Hysteresis $\pm 0.02\%$ FS
- Repeatability $\pm 0.01\%$ FS
- Full Scale Output $2mV/V \pm 0.5\%$
- Zero balance $\pm 1\%$ FS
- Compensated Temperature Range $-10^{\circ}C/+50^{\circ}C$.
- Operating Temperature Range $-20^{\circ}C/+60^{\circ}C$.
- Creep error after 30 minutes $<0,02\%$ F.S.
- Maximum tolerated excitation voltage 15 Vdc
- Input Resistance 380 ± 20 Ohm
- Output Resistance 350 ± 5 Ohm
- Insulation Resistance >5000 MOhm
- Safe Overload 150% F.S.
- Ultimate Overload 300% F.S.
- 6-wire shielded cable, 3.5m long, 5 mm diameter

RESTING FEET

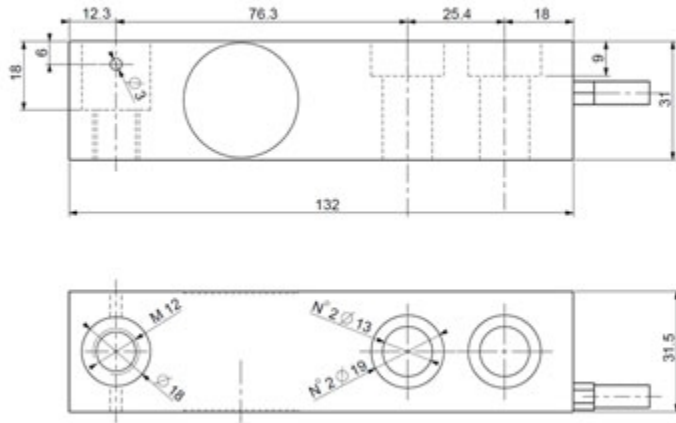
- Adjustable in height
- Nikel-plated steel structure
- Anti-slip base
- Ipsanitizable
- Fitted with locking bush

JUNCTION BOX

- Built-in junction and equalisation board
- IP67 protection from dust and water
- 1 PG9 Cable gland and 4 PG7 Cable glands

DIMENSIONS - DECODING STANDARD CABLE

- NOTE: dimensions in mm



- Decoding of the standard cable colours

Colour	Function
--	SHIELD
YELLOW	OUTPUT +
GREY	SENSE +
BROWN	INPUT +
WHITE	OUTPUT -
GREEN	INPUT -
PINK	SENSE -



“YOUR WORLDWIDE PARTNER FOR WEIGHING,”

DINI ARGEO
FRANCE sarl
France

DINI ARGEO
GMBH
Germany

DINI ARGEO
UK Ltd
United Kingdom

DINI ARGEO WEIGHING
INSTRUMENTS Ltd
China

DINI ARGEO
OCEANIA
Australia



COMPANY HEADQUARTERS

Via Della Fisica, 20
41042 Spezzano di Fiorano Modena • Italy
Tel. +39.0536 843418

SERVICE ASSISTANCE

Via Dell'Elettronica, 15
41042 Spezzano di Fiorano Modena • Italy
Tel. +39.0536 921784

SALES AND TECHNICAL ASSISTANCE SERVICE